

T392EN
0320



CINGO multi-purpose transporters



CINGO multi-purpose transporters

The Cingo multi-purpose transporters are compact and easy-to-handle machines designed for working in tight spaces. In addition, the low centre of gravity ensures maximum lateral stability on slopes, and the tracks put less pressure on the ground, providing greater adherence on uneven and irregular terrain. The versatility and multi-tasking aspect of the Cingo system is unique: the patented device for rapid coupling allows numerous different attachments to be used.

The wide range available includes models with capacities from 400 kg up to 1200 kg and there are three types of machine:

- ✓ **TRANSPORTERS:** mini operating machines for transporting and loading materials
- ✓ **MULTI-FUNCTION MACHINES:** mini operating machines equipped with the device for quick coupling (Merlo patent) with numerous attachments that can be used with them
- ✓ **UNIVERSAL TOOL CARRIER:** Cingo M4.3Turbo fitted with a solid set up for securing attachments, not compatible with the patented quick coupling device





Winning innovations

The Cingo are versatile and tireless machines, formaintaining green areas (mowing grass, trimming branches, pruning and clearing brushwood), road and forestry cleaning, snow clearing on roads, agricultural and animal husbandry businesses and in construction work (excavating, transport, concrete mixing).

Safe and reliable for numerous applications, the Cingo are easy to use and drive thanks to the hydraulic controls and the hydraulic or hydrostatic transmission.

Narrow passages are no problem: the width of the various models is smaller than normal apartment doors and they can all spin around thanks to the counter-rotation of the tracks.



CINGO transporter models

Indispensable for the transportation and handling of material

CINGO M800TD

This compact transporter has a hydraulic transmission with gear pumps and hydraulic gear motors with the possibility of moving forward at double speed.

Excellent performance and the utmost safety are guaranteed, moreover, with the *overcenter* valve for controlling the speed on slopes.

Changing the available attachments for this transporter model is made easier by the possibility of putting the attachments on the ground with four support feet.



CINGO M800 TECHNICAL INFORMATION TD

PERFORMANCE		TRANSMISSION AND HYDRAULIC SYSTEM		WEIGHT AND DIMENSIONS	
Maximum capacity	800 kg	Type of transmission	Hydraulics	Weight	510 kg
Petrol engine	Honda 12 HP	Hydraulic pumps transmission	Gear motors	Width	800 mm
Starting	Electric	Services pump	Gears 6 cc	Length	1640 mm
Double speed	2,5 - 4 km/h				

CINGO M8.3TD-Plus

The hydrostatic transmission with gear motors and the power of the engine make this machine a particularly manageable instrument capable of operating in all work conditions.

This machine, therefore, is ideal for intensive work in narrow areas and in particular for rental businesses.



CINGO M8.3TD-PLUS TECHNICAL INFORMATION

PERFORMANCE		TRANSMISSION AND HYDRAULIC SYSTEM		WEIGHT AND DIMENSIONS	
Maximum capacity	800 kg	Type of transmission	Hydrostatic	Weight	510 kg
Diesel engine	Kubota 17 HP	Hydraulic pumps transmission	Gear motors	Width	800 mm
Starting	Electric	Services pump	Gears 8 cc	Length (with dumper)	1800 mm
Maximum speed	5 km/h				



CINGO M500 MINI RANGE

This mini dumper, which is available in three versions (tipper dumper, dumper with self-loading loader, agricultural small dumper) is an easy-to-handle transporter, which is particularly compact and safe and that provides the features of a higher class, like the orbital hydraulic motors for maximum traction and the *overcenter* valve that allows the speed of the machine with a load to be controlled going uphill/downhill. The intuitive and easy-to-use controls include the manual parking brake and the optional hour counter and tachometer digital display.



CINGO M500 TECHNICAL INFORMATION

PERFORMANCE		TRANSMISSION AND HYDRAULIC SYSTEM		WEIGHT AND DIMENSIONS	
Maximum capacity	500 kg	Type of transmission	Hydraulics	Weight	230 kg
Petrol engine	Honda 5.5 HP	Hydraulic pumps transmission	Orbital	Width	690 mm
Starting	Manual recoil	Services pump	-	Length	1470 mm
Maximum speed	3.5 km/h				

CINGO multi-function models

Multi-purpose and multi-function system for all sectors

The Cingo has a uniquely versatile and multi-purpose system. The attachment quick coupling device equips the sturdy tracked carrier with two strong steel booms. This hydraulic controlled coupling system is patented and allows you to replace numerous attachments quickly and easily.

CINGO M12.3EVO

The Cingo M12.3EVO, equipped with gear motors and integrated parking brake, is the larger and more versatile multi-function machine. Equipped with a powerful 21 HP diesel engine and with tracks that allow you to work on any terrain thanks to excellent contact with the ground. Ideal in hillside and mountainous areas where the compact dimensions, low centre of gravity and astonishing traction ensure effective and safe operation. The hydrostatic system, with hydraulic servo controls, also makes it possible to manage the speed from a few metres an hour to maximum 5 km/h and to control steering easily with creep precision, all benefiting operating accuracy and driving safety.

CINGO M12.3EVO TECHNICAL INFORMATION

PERFORMANCE		TRANSMISSION AND HYDRAULIC SYSTEM		WEIGHT AND DIMENSIONS	
Maximum capacity	1200 kg	Type of transmission	Hydrostatic	Weight	720 kg
Diesel engine	Kubota 21 HP	Hydraulic pumps transmission	Gear motors	Width	1000 mm
Starting	Electric	Services pump	Gears 8 + 2,5 cc	Length	1800 mm
Maximum speed	5 km/h	Maximum system capacity (auxiliary circuit)	27 + 8 l/min		





CINGO M8.3PLUS

Thanks to its compact size, the Cingo M8.3Plus is the ideal multi-function machine for working in particularly narrow spaces.

The 17 HP diesel engine and the high attachment angle of the tracks allows the machine to overcome any obstacles, thereby ensuring maximum versatility in all work situations.

Like all the Cingo models fitted with hydrostatic transmission with gear motors, the integrated parking brake provides excellent dynamic braking, requiring less space for stopping and therefore high safety for the operator and greater precision in carrying out the work.



CINGO M8.3PLUS TECHNICAL INFORMATION

PERFORMANCE		TRANSMISSION AND HYDRAULIC SYSTEM		WEIGHT AND DIMENSIONS	
Maximum capacity	800 kg	Type of transmission	Hydrostatic	Weight	510 kg
Diesel engine	Kubota 17 HP	Hydraulic pumps transmission	Gear motors	Width	800 mm
Starting	Electric	Services pump	Gears 8 cc	Length	1600 mm
Maximum speed	5 km/h	Maximum system capacity (auxiliary circuit)	27 l/min		

Handler 400 attachments

The attachments for the Cingo system are the winning idea that has freshly defined the concept of multi-purpose for tracked dumpers. There are numerous work tools with new technology available for all models, which increase its potential for use, highlight its versatility and optimise its use in all fields: from construction to agriculture, from recycling to nursery gardening.

It takes just a few seconds to connect the desired attachment and quickly and effectively respond to the increasingly new demands for lifting, excavating, transporting, loading and unloading and precise handling.

HANDLER 400

The exclusive Handler attachment, which is fully interchangeable with all the other accessories of the multi-function system, creates a genuine compact telescopic handler.

The attachment is mounted on the Cingo M12.3EVO model.

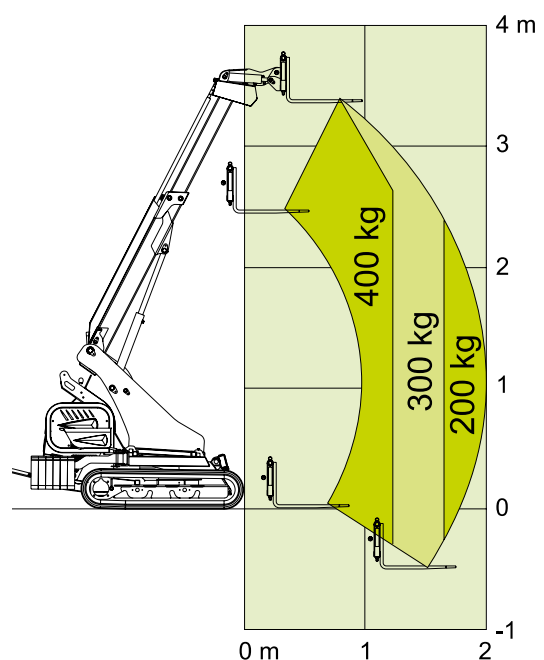
The Handler 400 is supplied with forks as standard, however, when required the telescopic boom can also be fitted with a wide variety of other attachments (loaders, fork with grab, log gripper, hedge cutters, etc.) for digging, lifting, transporting and cutting.

TECHNICAL INFORMATION	
Maximum capacity (kg)	400
Weight of the Handler attachment (kg)	680 (without machine)
Lifting height (m)	3.4
Diesel engine Kubota (HP)	21
Maximum speed (km/h)	4.9
Transmission	Hydrostatic
Boom controls	Electromechanical joystick
Front hydraulic stabiliser	As standard
Double pump and auxiliary hydraulic connector	As standard

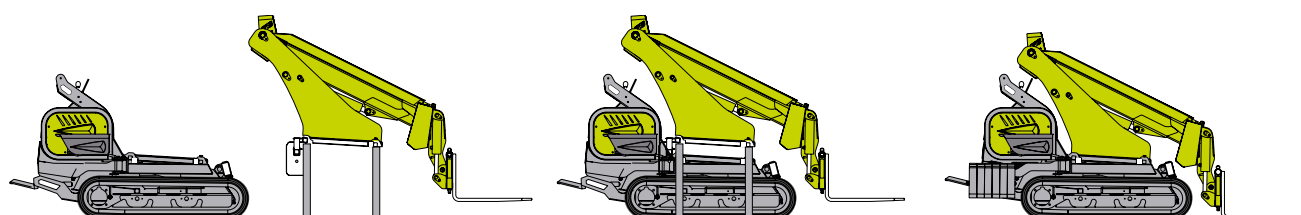
HANDLER 400

The maximum capacity of the Handler 400 with its boom not extended is 400 kg (including the forks).

The attachment is fitted with an anti-tilt system that provides maximum operator safety.



Assembly sequence of the attachment





HANDLER 400

FRONT ATTACHMENT-
HOLDER CARRIAGE
WITH MANUAL
LOCKING

DEMOUNTABLE MULTI-
FUNCTION BOOM OF THE
EXCLUSIVE QUICK COUPLING
SYSTEM (MERLO PATENT)
FOR USING THE NUMEROUS
ATTACHMENTS AVAILABLE

ROBUST RUBBER
TRACKING AND CRAWLER
UNDERCARRIAGE
THAT HAS OSCILLATING
ROLLERS

TELESCOPIC BOOM
SLIDING ON ADJUSTABLE
ANTI-FRICTION PADS

CONTROLS
WITH CONVENIENT
ELECTROMECHANICAL
JOYSTICK

POWERFUL 21 HP
DIESEL ENGINE

HYDROSTATIC TRANSMISSION
WITH HYDRAULIC GEAR MOTORS
AND INTEGRATED PARKING BRAKE



LIST OF ATTACHMENTS

CINGO TRANSPORTER MODELS	M500*	M800 TD	M8.3TD PLUS
Tipper dumper	X	X	X
Tipper dumper with self-loading bucket	X	X	X
Tipper with openable sides and agricultural flat bed	X	X	
300 litre concrete mixer		X	
300 litre concrete mixer with self-loading bucket		X	
Front blade		X	
High capacity tipper dumper with front panel		X	
High capacity tipper dumper with front panel and self-loading loader		X	
Tipper dumper with high tipping and self-loading loader		X	
200 litre sprayer with dedicated petrol engine		X	
Hand-held hydraulic hammer 20kg		X	

* for the M500 mini range the attachments are not interchangeable

CINGO MULTI-FUNCTION MODELS		M8.3PLUS	M12.3EVO
<i>Attachments for the construction and earth-moving sector</i>			
Tipper dumper		X	X
Tipper dumper with self-loading loader		X	X
Tipper dumper with high tipping		X	X
300 litre concrete mixer		X	X
300 litre concrete mixer with self-loading loader		X	X
Hand-held hydraulic hammer - 20kg		X	X
Tipper with openable sides and three-sided tilting		X	X
<i>Attachments for the agricultural sector, forestry and green areas</i>			
Tipper with openable sides and agricultural flat bed		X	X
Shredders for shrubs, grass and stalks		X	X
Mowing bar		X	X
Soil tiller		X	X
Trencher		X	X
Stone buriers			X
Sprayer		X	X
Auger		X	X
Mechanical in-row weed control attachment		X	X
Vertical fork-lift		X	X
Pallet transporter		X	X
Vertical fork-lift with crate press		X	X
Winch			X
Chipper		X	X
Snow blower		X	X
Front blade with hydraulic pivoting		X	X
<i>Attachments for HANDLER 400 compatible accessories</i>			
HANDLER 400 - telescopic boom with forks			X
Loader for Handler 400			X
Loader 4x1 for Handler 400			X
Fork with grab for Handler 400			X
Log gripper for Handler 400			X

Multi-function system attachments

With the numerous attachments available, the Cingo becomes a highly effective and productive work tool, and a source of significant reduction in the costs of the extremely varied work that normally requires specific machinery.

The optimal characteristics and performance of the Cingo attachments and their full compatibility arise from an integrated design and an exclusive production process.

Patented device

The complete interchangeability of the numerous attachments makes the Cingo system versatile and unique.



The patented device for the quick coupling of the attachments, which equips the truck with two strong mechanical booms, is the root technology of the Multi-function Cingo. Many attachments of the Multifunction system are compatible with this device.

QUICK COUPLING DEVICE WITH HYDRAULIC CONTROL





Dumper

Ideal for transporting loose material and for precision unloading. It is compatible with the quick coupling system.

	M 8.3PLUS	M 12.3EVO
Capacity of the tipper (l)	400	550
Capacity (kg)	730	1100
Width (mm)	800	920



Dumper with self-loading loader

The advantage of the front loader with hydraulic lifting for loading material. It is compatible with the quick coupling system.

	M 8.3PLUS	M 12.3EVO
Capacity of the tipper (l)	400	550
Capacity (kg)	655	980
Capacity of the loader (l)	80	90
Width (mm)	970	1080



Dumper with high tipping

Efficiency in transporting inert materials combined with the versatility of high unloading. It is compatible with the quick coupling system.

	M 8.3PLUS	M 12.3EVO
Capacity of the tipper (l)	400	400
Capacity (kg)	610	1010
Width (mm)	850	850
Height of the obstacle (mm)	1300	1300



Three-sided tipping

The versatility of the dumper with three sides that can be tilted.

	M 8.3PLUS	M 12.3EVO
Capacity (kg)	710	1100
Width (mm)	750	920
Length (mm)	1050	1250
Height of the sides (mm)	450	450



Tipper dumper with sides

The versatility of a tipper dumper with sides that when required become an integral part of the load bed, increasing its surface.

	M 8.3PLUS	M 12.3EVO
Capacity (kg)	720	1100
Width with sides closed (mm)	800	1000
Width with sides horizontal (mm)	1445	1650
Height of the sides (mm)	300	300



Shrub shredder

It is ideal to cut pruning residues, tree stumps and small bushes, as well as to clean embankments and footpaths. It is compatible with the quick coupling system.

	M 8.3PLUS	M 12.3EVO
Working width (mm)	800	1000



Auger

For making precise holes in the ground to house poles, supports, to plant young plants. It is compatible with the quick coupling system.

	M 8.3PLUS	M 12.3EVO
Hole diameter (mm)	200	200
Maximum working depth (mm)	800	800



Chipper

Indispensable for shredding pruning residues and resultant wood material, with the advantage of total mobility. It is compatible with the quick coupling system.

	M 8.3PLUS	M 12.3EVO
Maximum diameter of the branches (mm)	110	110



Grass mowers

An advanced hydraulically operated system for precision mowing. The floating function of the bar allows you cut following the roughness of the ground. It is compatible with the quick coupling system.

	M 8.3PLUS	M 12.3EVO
Width of the mowing bar (mm)	1300	1300



Agricultural cultivator

This attachment allows you to prepare the sowing bed on any degree of slope in gardens, vegetable allotments, greenhouses, vineyards, orchards and medium-sized pieces of land. It is compatible with the quick coupling system.

	M 8.3PLUS	M 12.3EVO
Working width (mm)	800	1000



Sprayer

easy to handle and quick, it is ideal for plant protection treatments between the rows of vines when there is little space and the terrain is rough.

	M 8.3PLUS	M 12.3EVO
Tank capacity (l)	200	200



Winch with load bed

The benefit of combining a powerful hydraulic towing system with the versatility of a transport vehicle. Ideal for use in the forestry sector.

	M 12.3EVO
Maximum capacity (kg)	1000
Maximum towing capacity (kg)	1500
Cord length (m)	50



Trencher

The trencher is the smallest and strongest digger of its kind and allows you to lay irrigation pipes or electric cables. It is compatible with the quick coupling system.

	M 8.3PLUS	M 12.3EVO
Digging depth (mm)	From 0 to 600	From 0 to 600
Digging width (mm)	130	130



Concrete Mixer

Designed for mixing concrete in the required amounts, when and where it is needed. It is compatible with the quick coupling system.

	M 8.3PLUS	M 12.3EVO
Capacity of the concrete mixer (l)	350	350
Concrete output (l)	300	300
Width of the attachment (mm)	1050	1050



Self-loading concrete mixer

To increase productivity by directly providing for the loading of the inert materials. It is compatible with the quick coupling system.

	M 8.3PLUS	M 12.3EVO
Capacity of the concrete mixer (l)	350	350
Concrete output (l)	300	300
Capacity of the loader (l)	40	40
Width of the attachment (mm)	1050	1050



Hand-held hydraulic hammer

For carrying out small or large demolitions with maximum accuracy and effectiveness.

	M 8.3PLUS	M 12.3EVO
Weight of the attachment (kg)	20	20



Vertical fork-lift

Ideal for precision handling when high lifting capacities are required. It is compatible with the quick coupling system.

	M 8.3PLUS	M 12.3EVO
Maximum capacity (kg)	200	400
Lift height (mm)	1600	1800



Telescopic handler

An agile work tool that can be equipped with various attachments (loaders, forks, grippers, buckets) for digging, lifting, loading, transporting, handling. It is compatible with the quick coupling system.

	M 12.3EVO
Maximum capacity (kg)	400
Lift height (mm)	3400



Snow blower

Hydraulically operated, it has a turbine ejector with manually selectable ejection direction. It is compatible with the quick coupling system.

	M 8.3PLUS	M 12.3EVO
Working width (mm)	800	1000



Front blade

Easy to operate, it allows you to clean the stables and stack loose material.

	M 8.3PLUS	M 12.3EVO
Blade width (mm)	1100	1300
Blade height (mm)	470	470
Blade angle (degrees)	±18	±18

CINGO M4.3TURBO

Multi-purpose machine without quick coupling system of the attachments

This versatile tracked tool carrier is specifically designed for applications in the wine-growing sector and agriculture in general, yet the variable track and the possibility of equipping the base truck with any kind of specific attachments turn this machine into a truly universal tool.

The narrow width of the machine provides a comfortable passage through narrow spaces, such as work between the rows in vineyards.

The tracking can be widened hydraulically and independently for single track using simple hydraulic controls, thereby ensuring better stability.

It is powered by a powerful 33 HP diesel engine and appropriate tracking with oscillating rollers allowing for operations on any condition of the ground thanks to excellence adherence.

CINGO M4.3TURBO TECHNICAL INFORMATION

PERFORMANCE		TRANSMISSION AND HYDRAULIC SYSTEM		WEIGHT AND DIMENSIONS	
Maximum capacity	400 kg	Type of transmission	Hydrostatic	Weight	800 kg
Diesel engine	Kubota 33 HP	Hydraulic pumps transmission	Gear motors	Width (truck can be widened)	679 - 929 mm
Starting	Electric	Two service pumps	Gears 12 cc + 4 cc	Length	2098 mm
Maximum speed	6 km/h	Diesel tank	25 l	Maximum height	1397 mm





CINGO M4.3TURBO

CONVENIENT CONTROL LEVERS
SPEED REGULATOR
SUCTION KIT
THAT KEEPS THE ENGINE INTAKE
AIR ALWAYS CLEAN

THE CHASSIS BASE HAS A SOLID
MOUNT THAT ALLOWS
THE ATTACHMENTS
TO BE MOUNTED EASILY

EXTENDIBLE
TRUCK

HYDROSTATIC
TRANSMISSION
WITH HYDRAULIC
GEAR MOTORS
AND INTEGRATED
PARKING BRAKE

ROBUST EXPANDABLE
RUBBER TRACK,
CRAWLER UNDERCARRIAGE
WITH OSCILLATING ROLLERS
AND HIGH ATTACHMENT ANGLE

POWERFUL
33 HP DIESEL
ENGINE

CASINGS THAT CAN BE
OPENED
THAT PROVIDE
EASY ACCESS
FOR MAINTENANCE
AND CLEANING



MODELS		M500	M800 TD	
SUB-GROUP		TRANSPORTER	TRANSPORTER	
PERFORMANCE - DIMENSIONS	Maximum capacity	kg	500	800
	Machine weight	kg	230	480
	Maximum length	mm	1471	1640
	Maximum width	mm	690	800
	Maximum height	mm	1125	1230
	Fixed / variable track		Fixed	Fixed
	Distance off ground/Ground clearance	mm	115	100
	Longitudinal negotiable slope		35%	35%
	Transversal negotiable slope		20%	20%
	Maximum speed	km/h	3.5	4
ENGINE	Engine	Brand	Honda	Honda
	Model	Code	GX 200	GX 390
	Fuel		Petrol	Petrol
	Number of cylinders		1	1
	Displacement	cc	196	389
	Maximum running speed	RPM	3850±100	3600
	Power	kW	4.1 kW / 3600 rpm	8,7
	Maximum torque		12.4 Nm / 1.26 Kgfm / 2500 rpm	26,5 Nm
	Starting		Manual recoil	Manual recoil/Electric
	engine cooling		Air	Air
	Fuel tank	l	3.1	6.1
	Fuel consumption	l/h 3600 rpm	1.7	3.5
	Battery	V/Ah	-	12V
TRANSMISSION	Type of transmission		Hydraulic	Hydraulic
	Pump	cc	3.2 + 3.2	4.27+4.27
	Flow	l/min	11.5+11.5	14+14
	Hydraulic motor		Orbital	Gear motor
	Maximum operating pressure	bar	150	160
	Controls / Levers		Hydraulic	Hydraulic
	Operator station		On the ground	On the ground / Platform
	Parking braking		Operator manual	Automatic Second gear speed
TRACKS	Type		Rubber	Rubber
	Dimensions		160x72x33	180x72x36
	Rollers per side		3	4
HYDRAULIC CIRCUIT	Services pump	Cc	-	Gears 6
	Auxiliary circuit oil capacity	l/min	-	20
	Maximum pressure	bar	-	180
	Services and transmission oil tank	litres	21	18
	Auxiliary circuit oil cooling		No	Yes
	Hydraulic connectors		2	4
	Levers		-	-
	Auxiliary services distributor		No	2levers
MULTI-FUNCTION - QUICK COUPLING			No	No

M8.3TDPlus	M8.3Plus	M 12.3EVO	M4.3 TURBO
<i>TRANSPORTER</i>	<i>MULTI-FUNCTION</i>	<i>MULTI-FUNCTION</i>	
800	800	1200	400
510	510	720	798
1800	1620	1800	2098
800	800	1000	679 - 929
1175	1175	1144	1397
Fixed	Fixed	Fixed	Variable
120	100	110	90
35%	35%	35%	35%
20%	20%	20%	20%
5	5	5	6
Kubota Z-602 Diesel 2 600 3600 12.5 kW / 3600 rpm 38 Nm / 3600 rpm Electric Liquid 14 2.8 12V	Kubota Z-602 Diesel 2 600 3600 12.5 kW / 3600 rpm 38 Nm / 3600 rpm Electric Liquid 14 3.5 12V	Kubota D722 Diesel 3 720 3600 14.9 kW / 3600 rpm 46 Nm / 2600 rpm Electric Liquid 14 4 12V	Kubota D1105-T-E3B Diesel 3 1129 3000 24.5 kW / 3000 rpm 88 Nm / 2000 rpm Electric Liquid 25 8 12V
Hydrostatic 11+11 38+38 Gear motor 160 Mechanical On the ground / Platform Automatic / Manual selector	Hydrostatic 11+11 38+38 Gear motor 160 Mechanical On the ground / Platform Automatic / Manual selector	Hydrostatic 13+13 45+45 Gear motor 200 Hydraulic On the ground / Platform Automatic / Manual selector	Hydrostatic 17+17 58+58 Gear motor 200 Hydraulic On the ground / Platform Automatic / Manual selector
Rubber 180x72x36 4	Rubber 180x72x36 4	Rubber 230x72x40 4	Rubber 180x72x41 5
Gears 8 27 180 18 Yes 4 - SD5/3levers	Gears 8 27 180 18 Yes 4 - SD5/4levers	Gears 8 + 2,5 27 + 8 200 26 Yes 6 - SD5/4levers + SD5/1lever	Gears 12+4 35+14 180 28 yes (two radiators) 12 - SD5/5levers + SD5/1lever
No	Yes	Yes	No



CINGO Multi-purpose transporters

Data, features and illustrations contained in this document are only indicative and not binding.

Merlo Spa pursues a policy of continual research and development, therefore our products may have characteristics that are different from those described or may be subject to modification without prior notice. The products illustrated may include optional equipment.



MERLO S.P.A.

Via Nazionale, 9 - 12010 S. Defendente de Cervasca - Cuneo - Italy

Tel. +39 0171 614111 - Fax +39 0171 684101

www.merlo.com - info@merlo.com

T392EN 0320